

Regulator Highlights

1 EXCLUSIVE ADJUSTMENT

- 30 precision settings from 0 - 2.2 lbs/min
- On the go adjustment with no interruption to the cutting process
- Eliminates wasted abrasive by fine tuning delivery

2 PERFORMANCE MONITORING

- Acrylic canister allows for visual confirmation of the abrasive delivery during the cutting process
- Abrasive reference guide for user convenience

3 EASY OPERATION

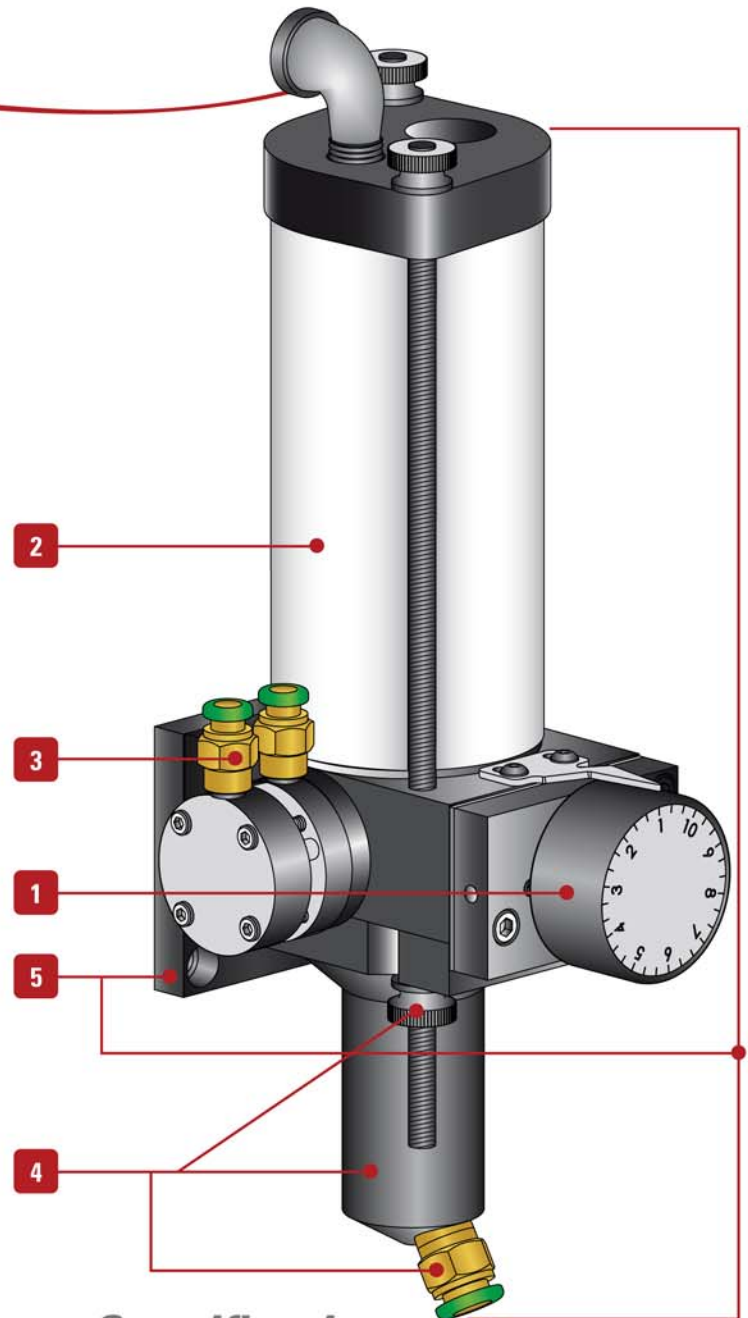
- Air to open and air to close control
- Spring loaded shoulder bolts ensure smooth opening and closing

4 OPERATOR CONVENIENCE

- Built in back flow diverter minimizes water from reaching internal components.
- Quick connect fitting allows for fast and easy removal of plugs from the abrasive line
- Toolless design makes it easy to inspect and clean internal components when necessary

5 SIMPLE INSTALLATION

- Two holes on the mounting plate allows convenient mounting near the cutting head
- Adapts to any cutting system due to its compact and lightweight design



Specifications

| | | |
|----------|-------------------|------------------------------|
| PHYSICAL | Flow Rate | 0-2.2 lbs/min (0 - 1 kg/min) |
| | Operating Control | Air to open/close |
| | Net Weight | 4.1 lbs (1.86 kg) |
| | Length | 5.3 in (134.6 mm) |
| | Width | 2.5 in (63.5 mm) |
| | Height | 12.3 in (312 mm) |

